

# Ourexam



---

**H i g h e r   Q u a l i t y**

**B e t t e r   S e r v i c e !**

We offer free update service for one year  
[Http://www.ourexam.com](http://www.ourexam.com)

**Exam** : **A2010-657**

**Title** : Assess:IBM Tivoli  
Netcool/OMNIBus V7.4  
Implementation

**Version** : DEMO

1.What is the recommended solution delivery mechanism for Native Event List tools, prompts, and menus?

- A.They are included in the WebGUI configuration.
- B.They should be packaged up using nco\_conf pack.
- C.They should be included in the solution delivery SQL file.
- D.They should be documented in the detailed design document but not delivered in the solution delivery package

**Answer: B**

2.What does the nco\_pa\_status tool display?

- A.the status output from a named Process Agent
- B.the status output from all Process Agents in the installation
- C.process accounting information for the named ObjectServer
- D.process accounting information for all binaries in the IBM Tivoli Netcool/OMNIBus installation

**Answer: A**

3.The username and password for the ObjectServer datasource is configured in which WebGUI configuration file?

- A.\$NCHOME/omnibus\_webgui/etc/server.init
- B.\$NCHOME/omnibus\_webgui/etc/datasources/ncwDataSource.dtd
- C.\$NCHOME/omnibus\_webgui/etc/datasources/ncwDataSource.xml
- D.\$NCHOME/omnibus\_webgui/etc/datasources/ncwDataSourceDefinitions.xml

**Answer: D**

4.Pluggable Authentication Modules are used to verify user credentials on a Linux host.What is the correct command line to start process control?

- A.%NCHOME/omnibus/bin/nco\_pad -admingroup roots -authenticate KER -secure
- B.%NCHOME/omnibus/bin/nco\_pad -admingroup root -authenticate PAM -secure
- C.%NCHOME/omnibus/bin/nco\_pad -admingroup admin -authenticate PLUG -secure
- D.%NCHOME/omnibus/bin/nco pad -admingroup admin -authenticate UNIX -secure

**Answer: B**

5.What is the purpose of the BufferSize probe property (common to all probes)?

- A.It tells a probe how much memory to allocate for its internal buffers.
- B.It tells a probe the size of the buffer to use when reading alerts from its data source.
- C.It tells a probe the maximum number of alerts to buffer before flushing them to the destination ObjectServer(s).
- D.It tells a probe the maximum number of alerts to have awaiting processing by the rules file.Events received when the buffer is full are discarded automatically.

**Answer: C**

6.Which two actions are required when configuring a CGI script to use via a WebGUI tool? (Choose two.)

- A.ensure the script is writeable
- B.ensure the script is executable

- C. save the CGI script on the Web GUI server in the \$NCHOME/etc/cgi-bin directory
- D. save the CGI script on the Web GUI server in the \$OMNIHOME/etc/cgi-bin directory
- E. save the CGI script on the Web GUI server in the \$NCHOME/omnibus\_webgui/etc/cgi-bin directory

**Answer:** BE

7. Examine this part of a rules file (line numbers added for troubleshooting)

```
[10] @Node=$node
[11] table dept="$NC_RULES_HOME/Dept.lookup"
[12] @Department=lookup($node,dept)
```

When running a syntaxcheck this error is displayed:

```
2013-01-22T11:25:14: Debug: D-UNK-000-000: Plain text rules file detected.
2013-01-22T11:25:14: Debug: D-ETC-004-050: THREAD MGR: thread Request Thread (0x80d0c58) running
2013-01-22T11:25:14: Error: E-UNK-000-000: Rules file 'snmptrap.rules' line 11: parse error
2013-01-22T11:25:14: Debug: D-UNK-000-000: Rules file caching is disabled.
2013-01-22T11:25:14: Error: E-UNK-000-000: Error(s) in rules file
```

What is the cause of this error?

- A. Dept.lookup has a syntax error.
- B. Department is not a valid Objectserver field.
- C. The NC\_RULES\_HOME environment variable is not set.
- D. Lookup table definitions must be located at the start of a rules file

**Answer:** D

8. Which two statements are true regarding Group Filters in WebGUI V7.4? (Choose two.)

- A. Only a single copy of the filter is needed.
- B. Only users with ncw\_admin role can add group filters.
- C. User retains a copy of the filter when leaving the group.
- D. Global, system, user filters can depend on group filters.
- E. Allows users to share filters based on their membership.

**Answer:** AE

9. What is taken into consideration while calculating sizing for a server that will only run an IBM Tivoli Netcool/OMNIbusObjectServer?

- A. number of operator users configured
- B. number of WebGUI maps configured
- C. number of custom SQL triggers configured
- D. number of Process Control agents configured within the solution

**Answer:** C

10. A company is assessing their user and group requirements for WebGUI. WebGUI was configured for ObjectServer authentication during the installation. These users will need access to WebGUI

- 10 users will be monitoring the Active Event List in shifts. They will run tools that will modify events
- 1 manager will connect to the Active Event List occasionally to view certain event information
- 1 user will modify the Event Dashboard portlet preferences
- 3 users will configure the product to create views and filters for all users

Given these requirements, how many users will belong to each of the default user groups?

- A.1 user is member of ncouser group, and 14 users are members of ncoadmin group.
- B.11 users are members of ncouser group, and 4 users are members of ncoadmin group.
- C.1 user is member of Netcool\_OMNIBus\_User group, and 14 users are members of Netcool\_OMNIBus\_Admin group.
- D.11 users are members of Netcool\_OMNIBus\_User group, and 4 users are members of Netcool\_OMNIBus\_Admin group

**Answer: C**

11.A company is using Federated Repository with 3 LDAP servers defined.Users and groups are synced to the ObjectServer.Some users cannot log in to the Tivoli Integrated Portal.The SystemOut.log shows this exception:

```
[1/23/13 12:44:03:743 CST] 000000b5 exception    E com.ibm.ws.wim.ProfileManager loginImpl  
com.ibm.websphere.wim.exception.DuplicateLogonIdException: CWWIM4538E Multiple principals were  
found for the 'jsmith' principal name.
```

What can the administrator do to prevent the error?

- A.use one LDAP server only
- B.switch users.credentials.sync to False
- C.ensure usernames are unique across repositories
- D.use different value for users.credentials.sync.groupname

**Answer: C**

12.Which role is required to administer groups and roles in IBM Tivoli Netcool/OMNIBus V7.4 WebGUI?

- A.iscadmins
- B.nco\_admin
- C.configurator
- D.administrator

**Answer: A**

13.Which statement is true about a signal trigger?

- A.It is executed repeatedly based on a specified frequency.
- B.It can only be executed if the system is running under process control.
- C.It can only be executed before or after an event is updated in the ObjectServer.
- D.It responds to changes detected within the IBM Tivoli Netcool/OMNIBus processes

**Answer: D**

14.Which three methods can be used to improve the resiliency of the IBM Tivoli Netcool/OMNIBus deployment? (Choose three.)

- A.deploying ObjectServers in pairs
- B.configuring and maintaining single sign-on capability
- C.deploying a second probe in peer-to-peer mode for any running probe
- D.using a probe raw capture file to determine the raw data reaching a probe
- E.setting up a cluster of Web GUI servers and then enabling Web GUI load balancing
- F.enabling multiple logins to allow multiple users to log in using the same user ID and password

**Answer: ACE**

15.What must be configured to run an ObjectServer in FIPS 140-2 security mode?

- A.set the SecurityEncryption property of the ObjectServer to the DES setting
- B.set the SecurityEncryption property of the ObjectServer to the AES setting
- C.set the PasswordEncryption property of the ObjectServer to the DES setting
- D.set the PasswordEncryption property of the ObjectServer to the AES setting

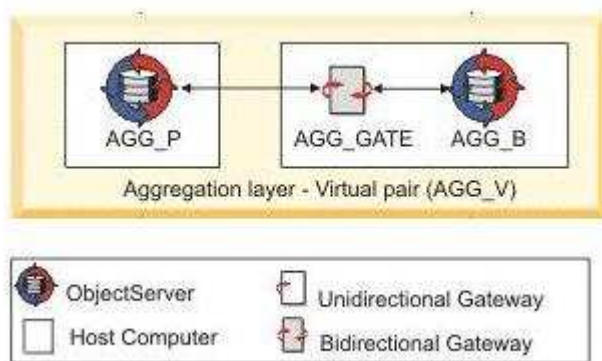
**Answer: D**

16.What is the only environment variable that has to be set to start the Display ObjectServer?

- A.NCHOME
- B.OMNI\_HOME
- C.JAVA\_HOME
- D.LD\_LIBRARY\_PATH

**Answer: A**

17.Click the Exhibit button.



An administrator at Widgetcom intends to use the standard multitier architecture configuration that ships with IBM Tivoli Netcool/OMNIbus V7.4 (Netcool/OMNIbus) to deploy an aggregation pair of ObjectServers AGG\_P (primary) and AGG\_B (backup) with a failover bidirectional gateway connecting them: AGG\_GATE.

Two physical computer systems will be used to deploy this single tier deployment of Netcool/OMNIbus.What is the minimum memory that should be provisioned for the Netcool/OMNIbus components running on the primary aggregation ObjectServer host?

- A.1 GB
- B.2 GB
- C.4 GB
- D.6 GB

**Answer: C**

18.

An ObjectServer is being configured with High Availability.  
The primary ObjectServer, called LONDON\_P, is configured on servera.  
The backup ObjectServer, called LONDON\_B, is configured on serverb.  
The synchronizer gateway, called LONDON\_GATE, is installed on serverb.  
Neither of the ObjectServers is running in Secure Mode.

The goal is a configuration that implements ObjectServer failover and fallback in the most efficient manner and in accordance with standard Best Practices.

Which statement is true about configuring ObjectServer users in the LONDON\_GATE property file?

- A.Different ObjectServer user names can be used for each ObjectServer.
- B.ObjectServer user names and passwords are not required in the gateway property file.
- C.The password value entered in the gateway property file for the ObjectServer users must be encrypted using the nco\_g\_crypt Utility.
- D.The same ObjectServer user name configured in the gateway property file must be defined in the LONDON\_P and LONDON\_B ObjectServers.

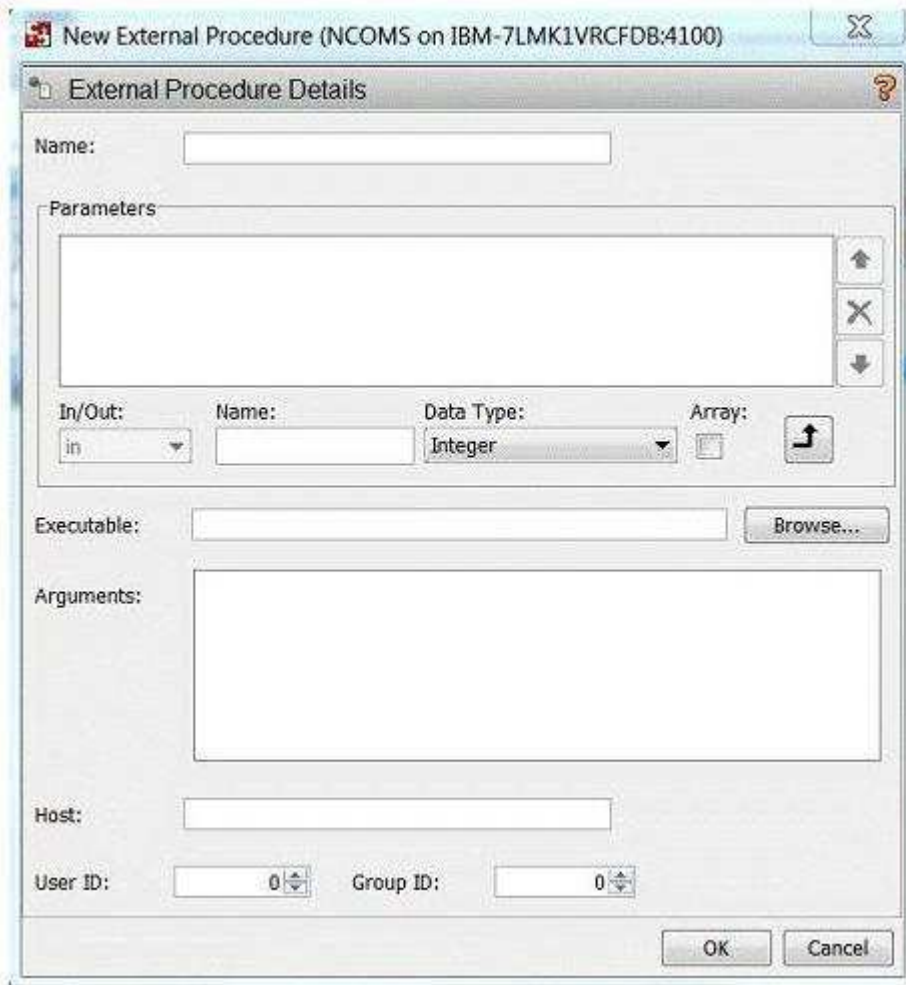
**Answer: B**

19.When developing several new pages in a sandbox dev/test system for the WebGUI, the work is ready to migrate to production during a change control.How is the migration performed?

- A.use a series of tipcli.sh import and export commands
- B.migrate the files in tip\_home\_dir/profiles/TIPProfile/output to the new system
- C.use the import/ export wizard in the Settings page of the WebGUI as an administrator
- D.create a tar file of the appropriate files in tip\_home\_dir/profiles/TIPProfile/etc/pages; transfer the tar file to the new system and untar in the same location

**Answer: A**

20.Click the Exhibit button.



When creating a new external procedure in the ObjectServer, which hostname should be listed as the Host parameter?

- A.localhost
- B.the ObjectServer hostname
- C.the local Process Agent name
- D.the hostname where the executable will be run

**Answer: D**