

Ourexam



H i g h e r Q u a l i t y

B e t t e r S e r v i c e !

We offer free update service for one year
[Http://www.ourexam.com](http://www.ourexam.com)

Exam : **HP0-082**

Title : OpenVMS Advanced
System
Administration.Performance.
Support

Version : DEMO

1. A customer requires a low-end OpenVMS cluster using Fibre Channel and shared storage.

Which configuration is the most appropriate solution for a limited budget?

- A. two servers with two Host Bus Adapters and two network cards each and an MSA1000
- B. two servers with one Host Bus Adapter and two network cards each, one Fibre Channel SAN switch, one pair of HSV100 controllers and a network switch
- C. two servers with two Host Bus Adapters and two network cards each, two Fibre Channel SAN switches, two pairs of HSV100 controllers and a network switch
- D. two servers with one Host Bus Adapter and one network card each, one Fibre Channel SAN switch and one pair of HSV100 controllers

Answer: D

2. Under which condition is enabling Fast Path likely to improve performance?

- A. in an SMP machine with the primary CPU saturated
- B. in a non-SMP machine with a saturated CPU
- C. in an SMP machine with an I/O bottleneck
- D. in a non-SMP machine with an I/O bottleneck

Answer: A

3. Which utility must be invoked after replacing a Fibre Channel tape device?

- A. SANCP
- B. INSTALL
- C. SYSMAN
- D. SYSGEN
- E. WWIDMGR

Answer: C

4. Why is the Dedicated CPU Lock Manager enabled?

- A. to monitor lock remastering
- B. to increase the availability of CPUs in an SMP system
- C. to decrease the number of resources on a CPU specific lock tree

D. to reduce MP Synchronization time on systems with heavy lock activity

Answer: D

5. Fast Path is enabled on an SMP system, but all I/O operations appear to be using the primary CPU.

Which parameter should be checked?

- A. CPU_AFFINITY
- B. PREFERRED_CPU
- C. IO_PREFER_CPUS
- D. PREFERRED_PATH

Answer: C

6. A customer is losing old versions of a data file that must be kept. Which ACE will help to determine the cause?

- A. (IDENTIFIER=AUDIT, ACCESS=R+W+D+C+S)
- B. (AUDIT=SECURITY, ACCESS= R+W+D+C+S)
- C. (IDENTIFIER=AUDIT, OPTIONS=DEFAULT, ACCESS=R+W+D+C+F)
- D. (AUDIT=SECURITY, OPTIONS=DEFAULT, ACCESS= R+W+D+C+F)

Answer: B

7. What does the GALAXY system parameter do?

- A. defines the number of instances in a hard partition
- B. controls participation of the instance in a GALAXY memory sharing set
- C. defines the number of CPUs that are assigned to an instance
- D. limits the amount of shared memory in a GALAXY community

Answer: B

8. Which system parameter restricts the amount of physical memory that can be consumed by the eXtended File Cache (XFC)?

- A. XFC_MAX_CACHE
- B. VCC_CACHE_SIZE

C. FILE_CACHE_MAX

D. VCC_MAX_CACHE

Answer: D

9. What improvement results from issuing the following command?

SET RMS_DEFAULT/QUERY_LOCK=DISABLE

A. read performance for all files

B. read performance for shared files

C. read and write performance for all files

D. read and write performance for shared files

Answer: B

10. Which process scheduling priority is a real-time priority?

A. 4

B. 8

C. 16

D. 64

Answer: C

11. Click the Exhibit button.

Which statement is true?

```

$ SHOW MEMORY/POOL/FULL
      System Memory Resources on 9-MAY-2001 06:36:36.79

Nonpaged Dynamic Memory (Lists + Variable)
  Current Size (bytes)      14123008  Current Size (pagelets)   27584
  Initial Size             3538944  Initial Size (pagelets)   6912
  Maximum Size             14123008  Maximum Size (pagelets)  27584
  Free Space (bytes)       55712    Space in Use (bytes)     3071360
  Largest Variable Block    6784     Smallest Variable Block   64
  Number of Free Blocks     206     Free Blocks LEQU 64 Bytes 156
  Free Blocks on Lookasides 90       Lookaside Space (bytes)  6448
  (Bus Addressable Memory requests use Nonpaged Dynamic Memory)

Paged Dynamic Memory
  Current Size (PAGEDYN) 2285568  Current Size (pagelets)   4464
  Free Space (bytes)     1318032  Space in Use (bytes)     967536
  Largest Variable Block 1314112  Smallest Variable Block   16
  Number of Free Blocks   95       Free Blocks LEQU 64 Bytes 90

Lock Manager Dynamic Memory
  Current Size (Mbytes)    1.46     Current Size (pages)      187
  Free Space (Mbytes)      0.45     Hits                      23925
  Space in Use (Mbytes)    1.00     Misses                    0
  Number of Empty Pages    38       Expansions                 187
  Number of Free Packets  1881     Packet Size (bytes)       256

```

- A. Paged Dynamic Memory is badly fragmented.
- B. Nonpaged Dynamic Memory should be increased.
- C. Lock Manager Dynamic Memory should be increased.
- D. Lookaside space is too small for optimal performance.

Answer: B

12. Click the Exhibit button.

Which statement regarding the system parameters is true?

```

$ SHOW MEMORY/POOL/FULL
      System Memory Resources on  9-MAY-2001 06:36:36.79

Nonpaged Dynamic Memory (Lists + Variable)
  Current Size (bytes)    14123008  Current Size (pagelets)  27584
  Initial Size           3538944  Initial Size (pagelets)  6912
  Maximum Size           14123008  Maximum Size (pagelets)  27584
  Free Space (bytes)     55712    Space in Use (bytes)    3071360
  Largest Variable Block  6784    Smallest Variable Block  64
  Number of Free Blocks   206     Free Blocks LEQU 64 Bytes  156
  Free Blocks on Lookasides  90     Lookaside Space (bytes)  6448

  (Bus Addressable Memory requests use Nonpaged Dynamic Memory)

Paged Dynamic Memory
  Current Size (PAGEDYN) 2285568  Current Size (pagelets)  4464
  Free Space (bytes)     1318032  Space in Use (bytes)    967536
  Largest Variable Block  1314112  Smallest Variable Block  16
  Number of Free Blocks   95       Free Blocks LEQU 64 Bytes  90

Lock Manager Dynamic Memory
  Current Size (Mbytes)   1.46     Current Size (pages)     187
  Free Space (Mbytes)     0.45     Hits                     23925
  Space in Use (Mbytes)   1.00     Misses                   0
  Number of Empty Pages   38       Expansions               187
  Number of Free Packets  1881    Packet Size (bytes)      256

```

- A. GBLPAGFIL is too small.
- B. PAGEDYN should be reduced.
- C. NPAGEDYN should be increased.
- D. LCKMGRDYN should be increased.

Answer: C

13. Many processes on a system are in RWMPB or RWPFW state. What is a probable cause?

- A. Lock requests are stalled.
- B. The look-aside lists are full.
- C. The page file is full.
- D. The paged pool has expanded.

Answer: C

14. Users are reporting that the system is running slower than normal. The information displayed by a MONITOR MODES command indicates that the INTERRUPT mode usage is much higher than normal.

What is a possible cause?

- A. Excessive use of RMS is occurring.
- B. The base priority of users has increased.

- C. DCL programs are running on the system.
- D. There is an increase in distributed lock processing.

Answer: D

15. A privileged kernel mode program is designed to operate on an SMP system. Which synchronization technique coordinates access to shared memory management structures?

- A. paging
- B. spinlocks
- C. mailboxes
- D. event flags

Answer: B

16. Which synchronization mechanism allows cooperating processes to coordinate their access to a named resource in a clustered environment?

- A. mutex
- B. spinlock
- C. logical names
- D. distributed lock manager

Answer: D

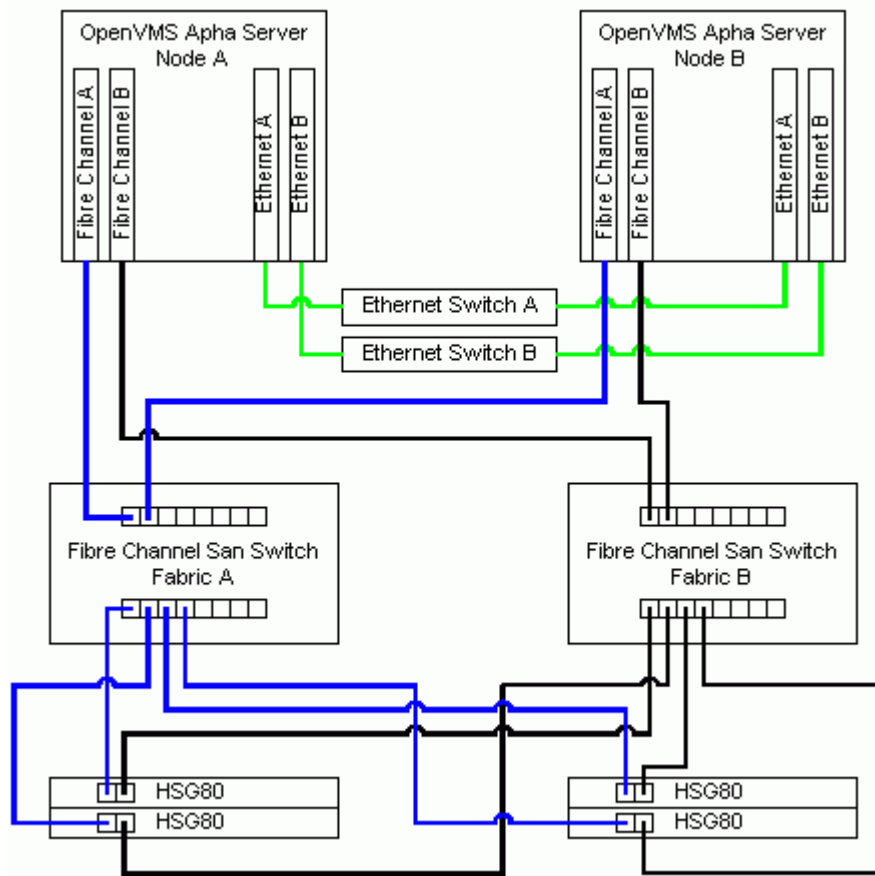
17. Which LINK qualifier will prevent an image from being installed with privilege?

- A. /SYSTEM
- B. /NOSYSLIB
- C. /TRACEBACK
- D. /SECTION_BINDING=CODE

Answer: C

18. Click the Exhibit button.

Which term best describes the OpenVMS cluster shown in the exhibit?



- A. fault tolerant
- B. non-redundant
- C. highly available
- D. disaster tolerant

machine with an I/O bottleneck

- D. in a non-SMP machine with an I/O bottleneck

Answer: C

19. Which pair of interconnects supports a multi-site cluster separated by more than 50km?

- A. CI and Memory Channel
- B. Fibre Channel and Ethernet
- C. CI and FDDI
- D. Memory Channel and Fibre Channel

Answer: B

20. An OpenVMS Integrity server was added to an existing OpenVMS Alpha cluster, sharing the existing SYSUAF.DAT. Users running a migrated application on the Integrity server experience occasional problems related to UAF quotas.

Which group of quotas is most likely responsible?

- A. BIOLM, DIOLM, TQELM
- B. ENQLM, FILLM, JTQUOTA
- C. BYTLM, PGFLQUO, WSQUO
- D. ASTLM, PRCLM, WSEXTENT

Answer: C